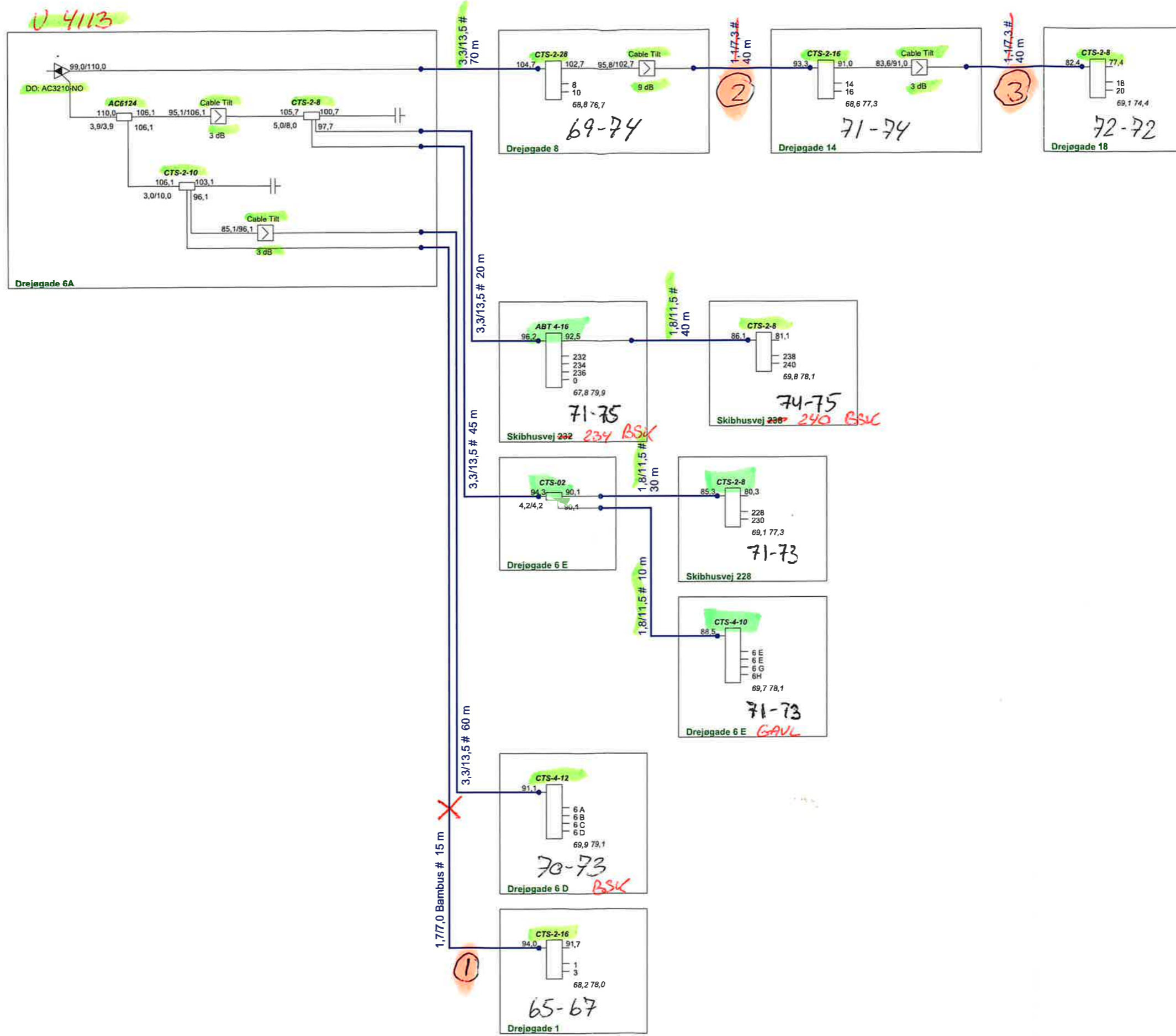


75-77



| | | | |
|---------------|------------------------|-------------|---------------|
| ProjectName : | Glentevejs Antennelaug | Frequency : | 282 - 1218Mhz |
| Reference : | RPD 122 | Initiale : | Jph |
| | | Date : | 21-05-2025 |

| Forstærker ID: U 4113 | | | | | | |
|-----------------------|--------|--------|-------------|------------|-------|-----------|
| Kabel ID | Type A | Type B | Stiktype | Inderleder | Skærm | Yderkappe |
| 1A | X | | FM 13 | 2,2 | 9,9 | |
| 1B | X | | FM 60-15/65 | 1,7 | 7,2 | 10,2 |
| 2A | | X | FM-TL 222 | 1,4 | 6,8 | 9,8 |
| 2B | | | | | | |
| 3A | | X | FM-TL 222 | 1,4 | 6,8 | 9,8 |
| 3B | | | | | | |
| 4A | | | | | | |
| 4B | | | | | | |
| 5A | | | | | | |
| 5B | | | | | | |
| 6A | | | | | | |
| 6B | | | | | | |
| 7A | | | | | | |
| 7B | | | | | | |
| 8A | | | | | | |
| 8B | | | | | | |
| 9A | | | | | | |
| 9B | | | | | | |
| 10A | | | | | | |
| 10B | | | | | | |
| 11A | | | | | | |
| 11B | | | | | | |
| 12A | | | | | | |
| 12B | | | | | | |
| 13A | | | | | | |
| 13B | | | | | | |
| 14A | | | | | | |
| 14B | | | | | | |

Kabeltype A = Skum/Bamboo dialektikum
Kabeltype B = Masiv dialektikum