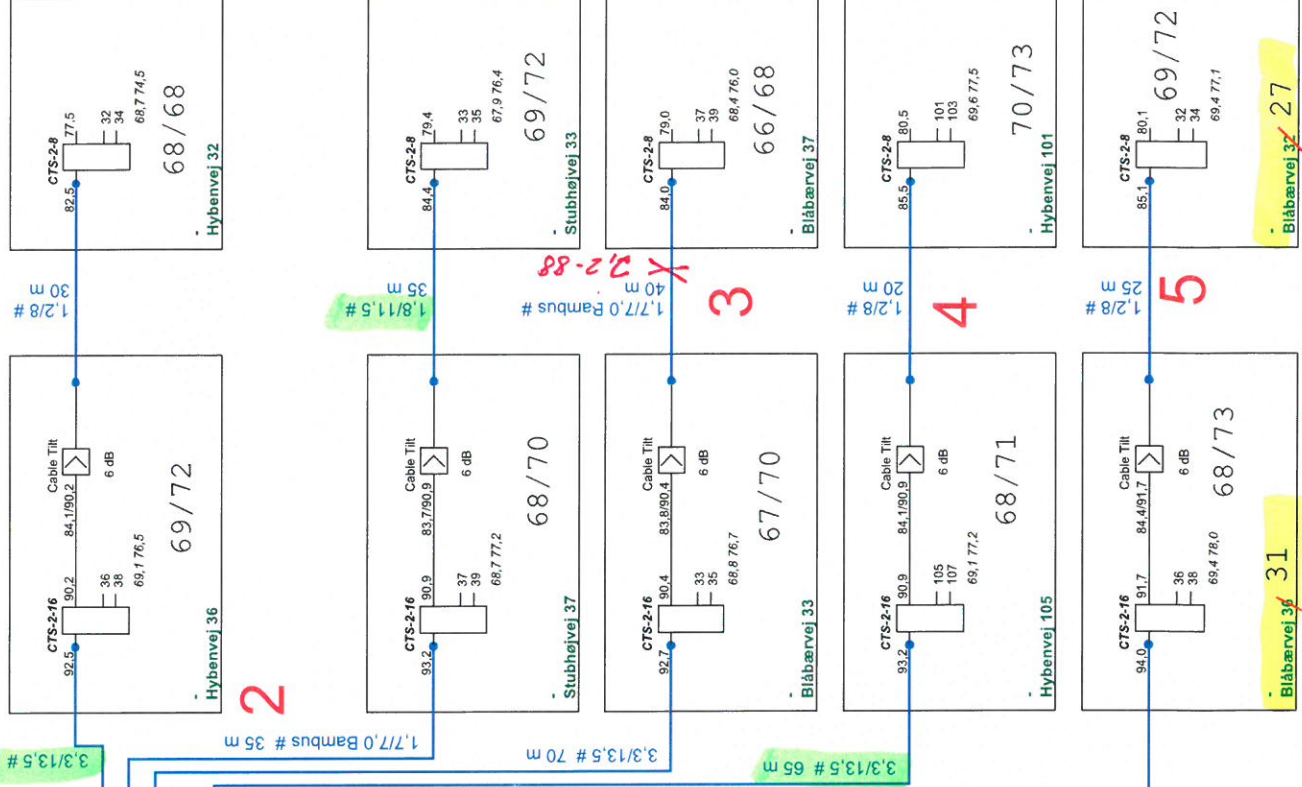


U 3823
 Blåbærvej 31, Stubhøjvej



ProjectName:	Glentevejs Antennelaug
Frequency:	282.1218MHz
Reference:	RPD 12
Date:	30.01.2023

ProjectName:	Glentevejs Antennelaug
Frequency:	282.1218MHz
Reference:	RPD 12
Date:	30.01.2023

Forstærker ID: U3823						
Kabel ID	Type A	Type B	Stiktype	Inderleder	Skærm	Yderkappe
1A		X	FM12-80	1,2	8,2	—
1B						
2A	X		FM60-15-65	1,7	7,0	—
2B						
3A		X	FM22-88	2,2	8,8	—
3B	X		FM60-15-65	1,7	7,0	—
4A		X	FM12-80	1,2	8,0	—
4B						
5A		X	FM12-80	1,2	8,0	—
5B						
6A						
6B						
7A						
7B						
8A						
8B						
9A						
9B						
10A						
10B						
11A						
11B						
12A						
12B						
13A						
13B						
14A						
14B						

Kabeltype A = Skum/Bamboo dialektikum
 Kabeltype B = Masiv dialektikum