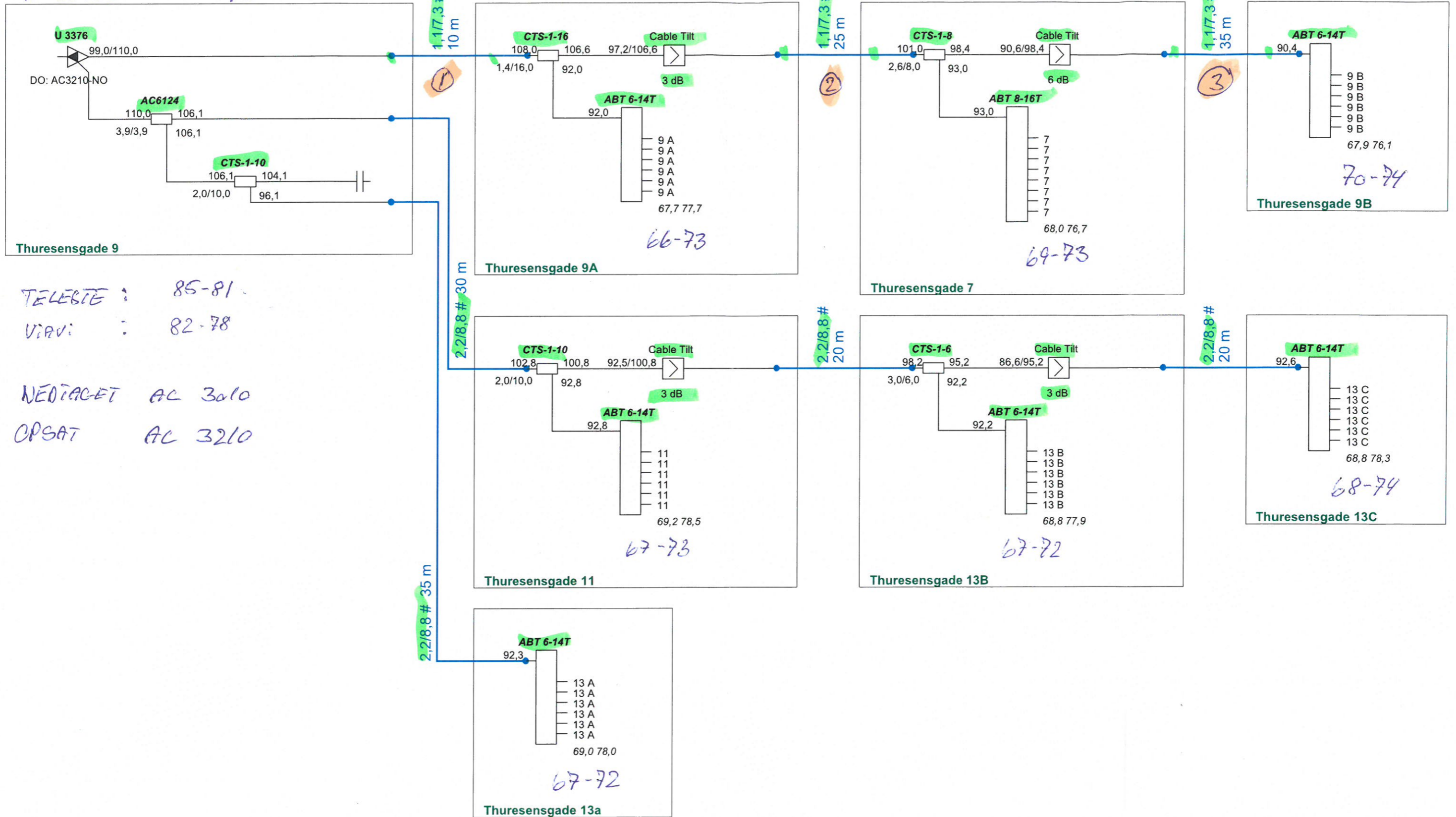


TP 009050 EBC 99C



TELESTE : 85-81

VIAP : 82-78

NEOTACET AC 3010

OPSAT AC 3210

PK

| | | |
|--------------------------------------|--|------------------------------|
| ProjectName : Glenten 1218 | Glentevejs Antennelaug Vagtelvej 1-3 | Frequency : 282 - 1218Mhz |
| Reference : RPD 112 | | Initials : jph |
| | | Date : 02-09-2024 |

| Forstærker ID: U 3376 | | | | | | |
|-----------------------|--------|--------|-----------|------------|-------|-----------|
| Kabel ID | Type A | Type B | Stiktype | Inderleder | Skærm | Yderkappe |
| 1A | | X | FM-TL 244 | 1,1 | 7,6 | 10,6 |
| 1B | | | | | | |
| 2A | | X | FM-TL 244 | 1,1 | 7,6 | 10,6 |
| 2B | | | | | | |
| 3A | | X | FM-TL 244 | 1,1 | 7,6 | 10,6 |
| 3B | | | | | | |
| 4A | | | | | | |
| 4B | | | | | | |
| 5A | | | | | | |
| 5B | | | | | | |
| 6A | | | | | | |
| 6B | | | | | | |
| 7A | | | | | | |
| 7B | | | | | | |
| 8A | | | | | | |
| 8B | | | | | | |
| 9A | | | | | | |
| 9B | | | | | | |
| 10A | | | | | | |
| 10B | | | | | | |
| 11A | | | | | | |
| 11B | | | | | | |
| 12A | | | | | | |
| 12B | | | | | | |
| 13A | | | | | | |
| 13B | | | | | | |
| 14A | | | | | | |
| 14B | | | | | | |

Kabeltype A = Skum/Bamboo dialektikum

Kabeltype B = Masiv dialektikum