

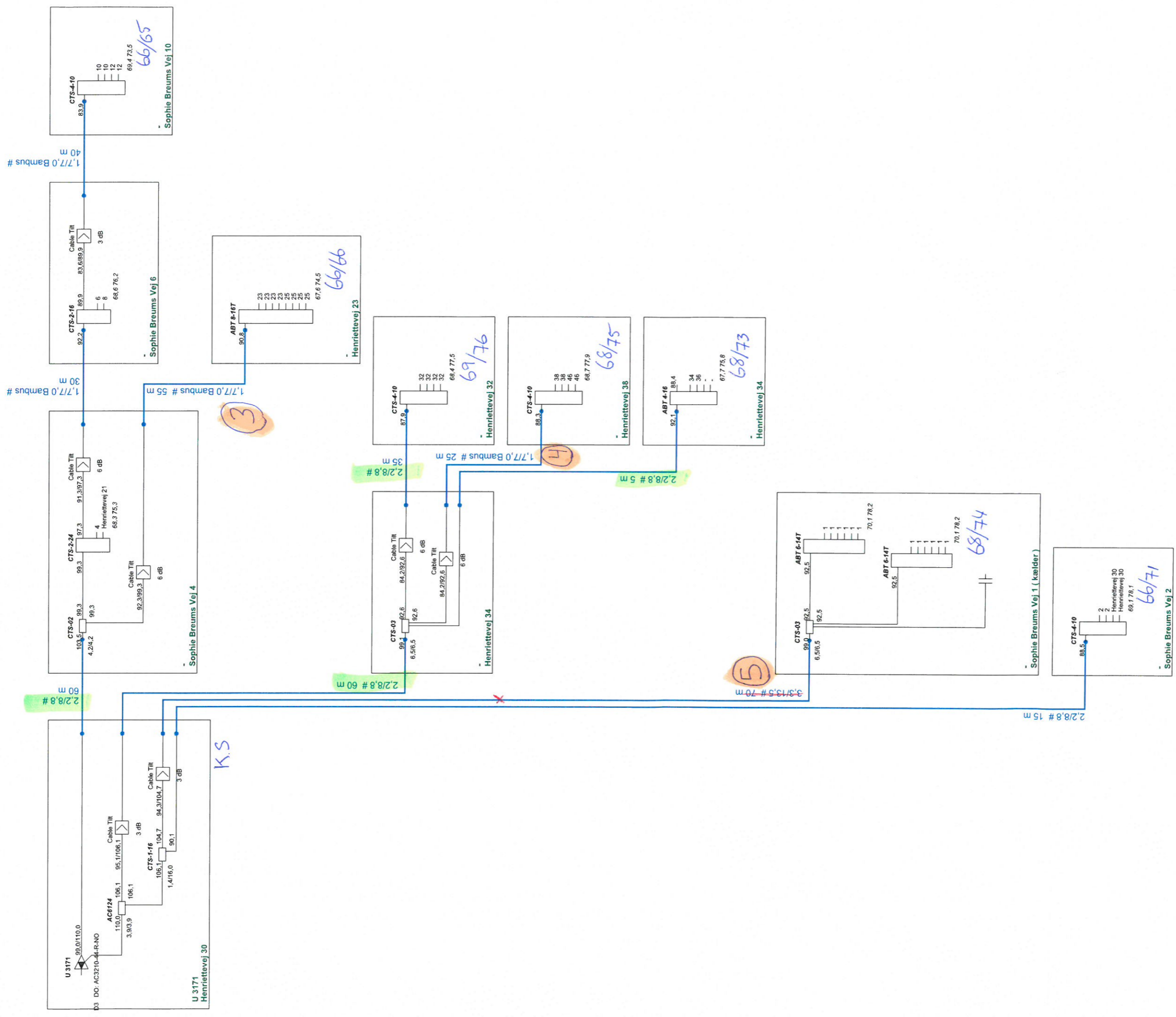
2

1

3

4

5



ProjectName:	Glentevejs Antennelaug	Frequency:	282 - 1218MHz
Reference:	RPD 26	Initials:	jph
		Date:	05-01-2023

ProjectName:	Glentevejs Antennelaug	Frequency:	282 - 1218MHz
Reference:	RPD 26	Initials:	jph
		Date:	05-01-2023

ProjectName:	Glentevejs Antennelaug	Frequency:	282 - 1218MHz
Reference:	RPD 26	Initials:	jph
		Date:	05-01-2023

Forstærker ID: V3171

Kabel ID	Type A	Type B	Stiktype	Inderleder	Skærm	Yderkappe
1A		X	Fm 60-15/65	1,5	6,9	10,2
1B						
2A		X	Fm 60-15/65	1,5	6,9	10,2
2B						
3A		X	Fm 60-15/65	1,5	6,9	10,2
3B						
4A		X	Fm 60-15/65	1,5	6,9	10,2
4B						
5A	X		33/135	3,3	13,5	
5B	X		22/99	2,2	9,9	
6A						
6B						
7A						
7B						
8A						
8B						
9A						
9B						
10A						
10B						
11A						
11B						
12A						
12B						
13A						
13B						
14A						
14B						

Kabeltype A = Skum/Bamboo dialektikum

Kabeltype B = Masiv dialektikum