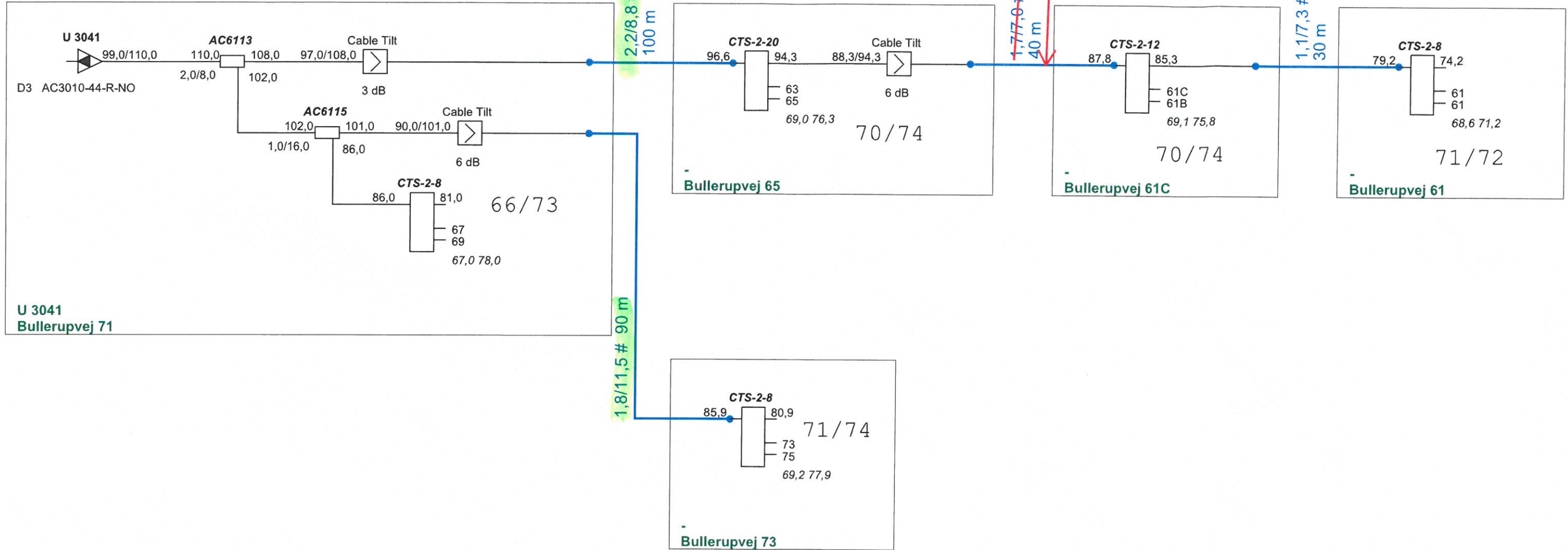


ind 75/73



| | | | |
|---------------|---------------------|---------------------------|---------------|
| ProjectName : | Glenten 1218 | Glentevejs Antennelaug | Frequency : |
| Reference : | | | 282 - 1218Mhz |
| U 3041 | Vagtelvej 1-3 | | Initials : |
| | | | jph |
| | | | Date : |
| | | | 14-06-2022 |

| Forstærker ID: U3041 | | | | | | |
|----------------------|--------|--------|-------------|------------|-------|-----------|
| Kabel ID | Type A | Type B | Stiktype | Inderleder | Skærm | Yderkappe |
| 1A | | X | Fm 60-15/65 | 1,4 | 6,7 | 9,9 |
| 1B | | | | | | |
| 2A | | X | TL 244 | 1,1 | 7,4 | 10,6 |
| 2B | | | | | | |
| 3A | | | | | | |
| 3B | | | | | | |
| 4A | | | | | | |
| 4B | | | | | | |
| 5A | | | | | | |
| 5B | | | | | | |
| 6A | | | | | | |
| 6B | | | | | | |
| 7A | | | | | | |
| 7B | | | | | | |
| 8A | | | | | | |
| 8B | | | | | | |
| 9A | | | | | | |
| 9B | | | | | | |
| 10A | | | | | | |
| 10B | | | | | | |
| 11A | | | | | | |
| 11B | | | | | | |
| 12A | | | | | | |
| 12B | | | | | | |
| 13A | | | | | | |
| 13B | | | | | | |
| 14A | | | | | | |
| 14B | | | | | | |

Kabeltype A = Skum/Bamboo dialektikum

Kabeltype B = Masiv dialektikum